

Gear Lever Handles

Steel / Stainless Steel, Knob Plastic

SPECIFICATION

Types

- Type **A**: Ball knob DIN 319 (see page 538)
- Type **D**: Domed gear knobs I.222 (see page 537)
- Type **E**: Cylindrical knob I.280 (see page 568)

Shaft

- Steel
 - Zinc plated, blue passivated **ZB**
- Stainless Steel AISI 303 **NI**
 - Matte shot-blasted

Knob

- Plastic, phenolic resin (PF)
 - Black, shiny finish
 - Screwed-on



INFORMATION

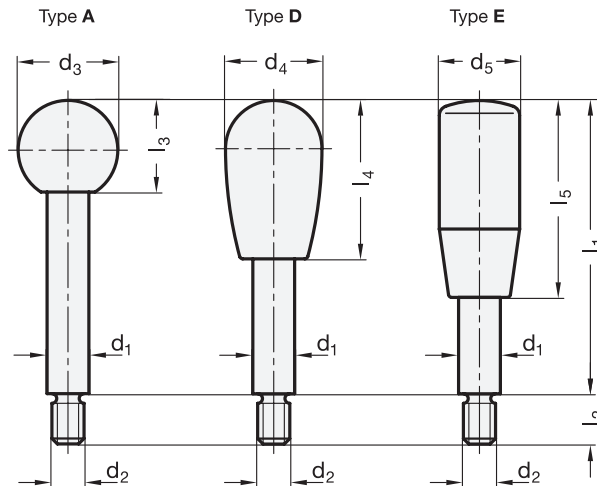
Gear lever handles GN 310 are highly universal options for movement and operation. Actuation of hydraulic valves and control levers eccentric cams are example uses of these standard parts.

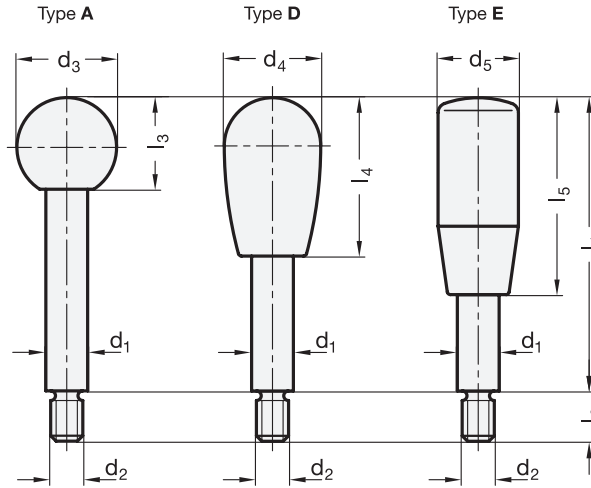
ACCESSORY

- GN 150 Split Hubs (Steel) (see page 406)
- GN 150.5 Split Hubs (Stainless Steel) (see page 406)
- GN 919 Hubs with Eccentric Cam (Sintered Steel) (see page 1055)

TECHNICAL INFORMATION

- Plastic Characteristics (see page A2)
- Stainless Steel Characteristics (see page A26)





GN 310-ZB

Description	d1	l1	d2	d3	d4	d5	l2	l3	l4	l5	△
GN 310-8-63-A-ZB	8	63	M 6	20	-	-	9	18	-	-	26
GN 310-8-63-D-ZB	8	63	M 6	-	20	-	9	-	31	-	30
GN 310-8-63-E-ZB	8	63	M 6	-	-	18	9	-	-	40	25
GN 310-8-80-A-ZB	8	80	M 6	20	-	-	9	18	-	-	34
GN 310-8-80-D-ZB	8	80	M 6	-	20	-	9	-	31	-	36
GN 310-8-80-E-ZB	8	80	M 6	-	-	18	9	-	-	40	33
GN 310-8-100-A-ZB	8	100	M 6	20	-	-	9	18	-	-	43
GN 310-8-100-D-ZB	8	100	M 6	-	20	-	9	-	31	-	45
GN 310-8-100-E-ZB	8	100	M 6	-	-	18	9	-	-	40	42
GN 310-10-80-A-ZB	10	80	M 8	25	-	-	11	22.5	-	-	50
GN 310-10-80-D-ZB	10	80	M 8	-	26	-	11	-	42	-	54
GN 310-10-80-E-ZB	10	80	M 8	-	-	21	11	-	-	50	49
GN 310-10-100-A-ZB	10	100	M 8	25	-	-	11	22.5	-	-	63
GN 310-10-100-D-ZB	10	100	M 8	-	26	-	11	-	42	-	66
GN 310-10-100-E-ZB	10	100	M 8	-	-	21	11	-	-	50	61
GN 310-10-125-A-ZB	10	125	M 8	25	-	-	11	22.5	-	-	78
GN 310-10-125-D-ZB	10	125	M 8	-	26	-	11	-	42	-	81
GN 310-10-125-E-ZB	10	125	M 8	-	-	21	11	-	-	50	76
GN 310-12-100-A-ZB	12	100	M 10	32	-	-	14	29	-	-	96
GN 310-12-100-D-ZB	12	100	M 10	-	33	-	14	-	55	-	102
GN 310-12-100-E-ZB	12	100	M 10	-	-	23	14	-	-	65	90
GN 310-12-125-A-ZB	12	125	M 10	32	-	-	14	29	-	-	118
GN 310-12-125-D-ZB	12	125	M 10	-	33	-	14	-	55	-	125
GN 310-12-125-E-ZB	12	125	M 10	-	-	23	14	-	-	65	110
GN 310-12-160-A-ZB	12	160	M 10	32	-	-	14	29	-	-	154
GN 310-12-160-D-ZB	12	160	M 10	-	33	-	14	-	55	-	156
GN 310-12-160-E-ZB	12	160	M 10	-	-	23	14	-	-	65	150
GN 310-14-125-A-ZB	14	125	M 12	35	-	-	16	32.5	-	-	158
GN 310-14-125-D-ZB	14	125	M 12	-	33	-	16	-	55	-	161
GN 310-14-125-E-ZB	14	125	M 12	-	-	26	16	-	-	80	157
GN 310-14-160-A-ZB	14	160	M 12	35	-	-	16	32.5	-	-	195
GN 310-14-160-D-ZB	14	160	M 12	-	33	-	16	-	55	-	204
GN 310-14-160-E-ZB	14	160	M 12	-	-	26	16	-	-	80	194
GN 310-14-200-A-ZB	14	200	M 12	35	-	-	16	32.5	-	-	240
GN 310-14-200-D-ZB	14	200	M 12	-	33	-	16	-	55	-	252
GN 310-14-200-E-ZB	14	200	M 12	-	-	26	16	-	-	80	223
GN 310-16-160-A-ZB	16	160	M 14	40	-	-	18	37	-	-	256
GN 310-16-160-D-ZB	16	160	M 14	-	38	-	18	-	68	-	270
GN 310-16-160-E-ZB	16	160	M 14	-	-	28	18	-	-	90	250
GN 310-16-200-A-ZB	16	200	M 14	40	-	-	18	37	-	-	319
GN 310-16-200-D-ZB	16	200	M 14	-	38	-	18	-	68	-	331
GN 310-16-200-E-ZB	16	200	M 14	-	-	28	18	-	-	90	300
GN 310-16-250-A-ZB	16	250	M 14	40	-	-	18	37	-	-	395
GN 310-16-250-D-ZB	16	250	M 14	-	38	-	18	-	68	-	406
GN 310-16-250-E-ZB	16	250	M 14	-	-	28	18	-	-	90	390

GN 310-NI

STAINLESS STEEL

Description	d1	l1	d2	d3	d4	d5	l2	l3	l4	l5	△
GN 310-8-63-A-NI	8	63	M 6	20	-	-	9	18	-	-	26
GN 310-8-63-D-NI	8	63	M 6	-	20	-	9	-	31	-	30
GN 310-8-63-E-NI	8	63	M 6	-	-	18	9	-	-	40	25
GN 310-8-80-A-NI	8	80	M 6	20	-	-	9	18	-	-	34
GN 310-8-80-D-NI	8	80	M 6	-	20	-	9	-	31	-	36
GN 310-8-80-E-NI	8	80	M 6	-	-	18	9	-	-	40	33
GN 310-8-100-A-NI	8	100	M 6	20	-	-	9	18	-	-	44
GN 310-8-100-D-NI	8	100	M 6	-	20	-	9	-	31	-	45
GN 310-8-100-E-NI	8	100	M 6	-	-	18	9	-	-	40	43
GN 310-10-80-A-NI	10	80	M 8	25	-	-	11	22.5	-	-	50
GN 310-10-80-D-NI	10	80	M 8	-	26	-	11	-	42	-	54
GN 310-10-80-E-NI	10	80	M 8	-	-	21	11	-	-	50	49
GN 310-10-100-A-NI	10	100	M 8	25	-	-	11	22.5	-	-	63
GN 310-10-100-D-NI	10	100	M 8	-	26	-	11	-	42	-	66
GN 310-10-100-E-NI	10	100	M 8	-	-	21	11	-	-	50	61
GN 310-10-125-A-NI	10	125	M 8	25	-	-	11	22.5	-	-	78
GN 310-10-125-D-NI	10	125	M 8	-	26	-	11	-	42	-	81
GN 310-10-125-E-NI	10	125	M 8	-	-	21	11	-	-	50	76
GN 310-12-100-A-NI	12	100	M 10	32	-	-	14	29	-	-	96
GN 310-12-100-D-NI	12	100	M 10	-	33	-	14	-	55	-	102
GN 310-12-100-E-NI	12	100	M 10	-	-	23	14	-	-	65	82
GN 310-12-125-A-NI	12	125	M 10	32	-	-	14	29	-	-	118
GN 310-12-125-D-NI	12	125	M 10	-	33	-	14	-	55	-	125
GN 310-12-125-E-NI	12	125	M 10	-	-	23	14	-	-	65	103
GN 310-12-160-A-NI	12	160	M 10	32	-	-	14	29	-	-	154
GN 310-12-160-D-NI	12	160	M 10	-	33	-	14	-	55	-	156
GN 310-12-160-E-NI	12	160	M 10	-	-	23	14	-	-	65	134
GN 310-14-125-A-NI	14	125	M 12	35	-	-	16	32.5	-	-	161
GN 310-14-125-D-NI	14	125	M 12	-	33	-	16	-	55	-	150
GN 310-14-125-E-NI	14	125	M 12	-	-	26	16	-	-	80	125
GN 310-14-160-A-NI	14	160	M 12	35	-	-	16	32.5	-	-	193
GN 310-14-160-D-NI	14	160	M 12	-	33	-	16	-	55	-	204
GN 310-14-160-E-NI	14	160	M 12	-	-	26	16	-	-	80	175
GN 310-14-200-A-NI	14	200	M 12	35	-	-	16	32.5	-	-	240
GN 310-14-200-D-NI	14	200	M 12	-	33	-	16	-	55	-	252
GN 310-14-200-E-NI	14	200	M 12	-	-	26	16	-	-	80	223
GN 310-16-160-A-NI	16	160	M 14	40	-	-	18	37	-	-	254
GN 310-16-160-D-NI	16	160	M 14	-	38	-	18	-	68	-	270
GN 310-16-160-E-NI	16	160	M 14	-	-	28	18	-	-	90	214
GN 310-16-200-A-NI	16	200	M 14	40	-	-	18	37	-	-	319
GN 310-16-200-D-NI	16	200	M 14	-	38	-	18	-	68	-	331
GN 310-16-200-E-NI	16	200	M 14	-	-	28	18	-	-	90	273
GN 310-16-250-A-NI	16	250	M 14	40	-	-	18	37	-	-	395
GN 310-16-250-D-NI	16	250	M 14	-	38	-	18	-	68	-	406
GN 310-16-250-E-NI	16	250	M 14	-	-	28	18	-	-	90	354

